

1 Description

The C236S series of high-current MOSFET relays feature high current switching capability to 2.5A with a low ON resistance of 0.06Ω Nominal and are capable of providing 1,500V of input to output isolation. Designed for Automatic Test Equipment (ATE), Industrial Controls, Measurement & Instrumentation applications, the CotoMOS® C236S Series relay is capable of handling 60V load conditions. For different requirements, please contact your Coto Applications Engineer at www.cotorelay.com for assistance.

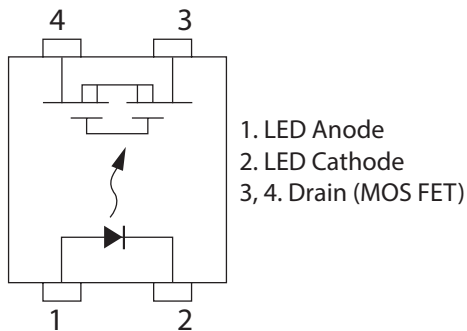
Device Information

Part Series	Package	Body Size (mm)
C236S	SOP	4.4 x 4.3 x 2.0

Device Package



4 Device Schematic



2 Features

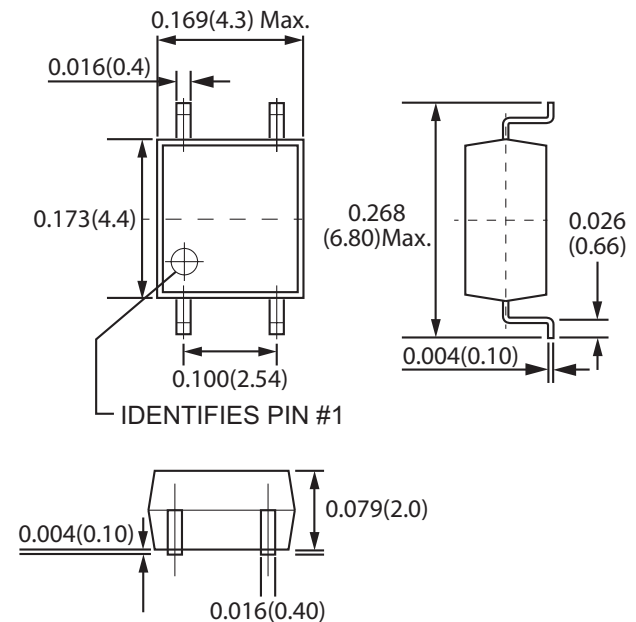
- ▶ Contact Form: 1A
- ▶ Load Voltage: 60V
- ▶ Load Current: 2.5A
- ▶ Low ON-Resistance: 0.06Ω Nominal
- ▶ Output Capacitance: 150pF Typical
- ▶ Low Off-State Leakage Current: 1.0μA Maximum
- ▶ Input/Output Isolation: 1500Vrms
- ▶ Arc-Free with no Snubbing Circuits
- ▶ High-Reliability Solid State Design
- ▶ RoHS Compliant

3 Applications

- ▶ Automatic Test Equipment (ATE)
- ▶ Industrial Controls
- ▶ Instrumentation
- ▶ Measurement Equipment

5 Device Dimensions

Inches (mm)



6 Specifications

6.1 Absolute Maximum Ratings

Parameters		Symbol	Rating	Unit
Input	Continuous LED Current	I_F	50	mA
	Peak LED Current (f=100Hz Duty=1%)	I_{FP}	1000	mA
	LED Reverse Voltage	V_R	5	V
	Input Power Dissipation	P_{IN}	75	mW
Output	Load Voltage	V_L	60	V (AC peak or DC)
	Load Current	I_L	2.5	A
	Peak Load Current (100 ms, 1 pulse)	I_{PEAK}	5.0	A
	Output Power Dissipation	P_{OUT}	400	mW
Total Power Dissipation		P_T	500	mW
I/O Breakdown Voltage (RH=60%, 1 min)		$V_{I/O}$	1500	Vrms
Operating Temperature		T_{OPR}	-40 to +85	°C
Storage Temperature		T_{STG}	-40 to +100	°C
Pin Soldering Temperature (10 sec max)		T_{SOL}	260	°C

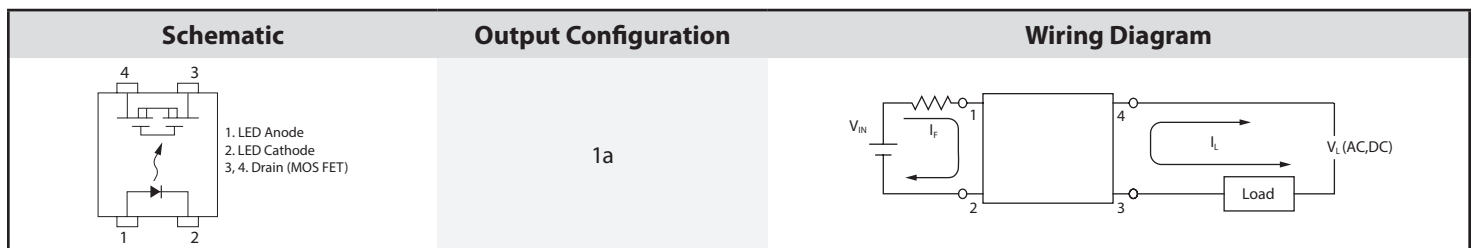
6.2 Electro-Optical Characteristics

Parameters		Symbol	Conditions	Min.	Typ.	Max.	Unit
Input	LED Forward Voltage	V_F	$I_F=10mA$		1.2	1.4	V
	Operation LED Current	I_{FON}			0.5	3.0	mA
	Recovery LED Voltage	V_{FOFF}		0.7			V
	Recovery LED Current	I_{FOFF}		0.1	0.35		mA
Output	On-Resistance	R_{ON}	$I_F=5mA, I_L=100mA$ Time to flow is within 1 sec		0.06	0.1	Ω
	Off-State Leakage Current	I_{LEAK}	$V_L=Rating$			1.0	μA
	Output Capacitance	C_{OUT}	$V_L=0, f=1MHz$		150		pF
Trans- mission	Turn-On Time	T_{ON}	$I_F=5mA, I_L=100mA$		1.5	3.0	ms
	Turn-Off Time	T_{OFF}			0.1	0.3	ms
Coupled	I/O Insulation Resistance	$R_{I/O}$	DC500V	10^{10}			Ω
	I/O Capacitance	$C_{I/O}$	f=1MHz		0.8	1.5	pF

Environmental Ratings:

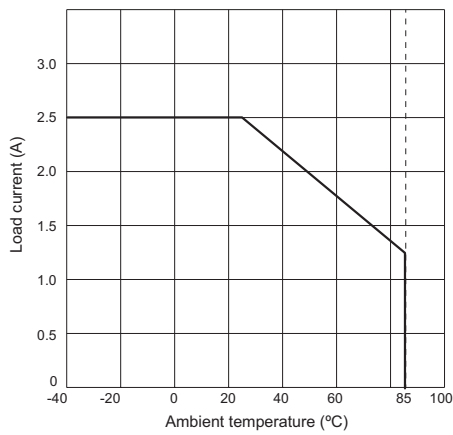
All electrical parameters measured at 25°C unless otherwise specified.

7 Schematic and Wiring Diagrams

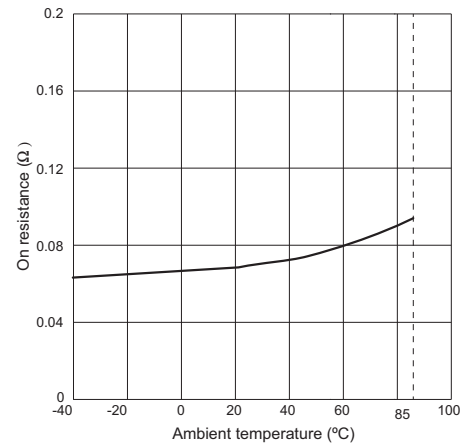


8 C236S Series Graphs

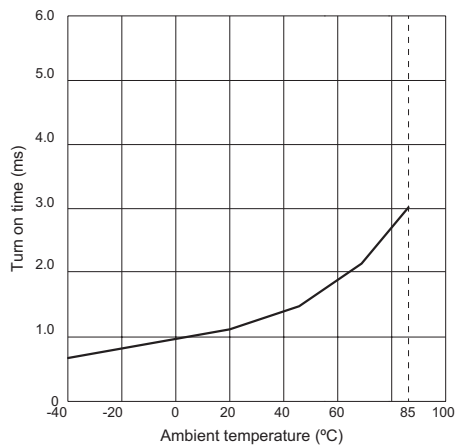
Load Current Vs. Ambient Temperature



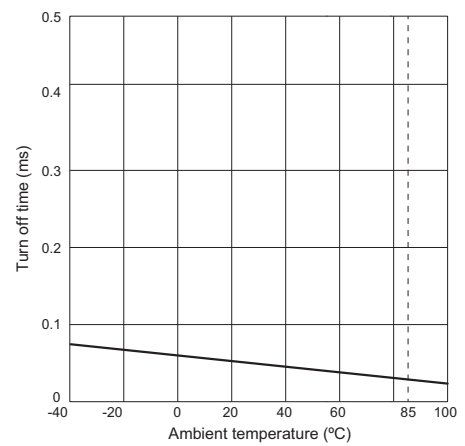
On-Resistance Vs. Ambient Temperature



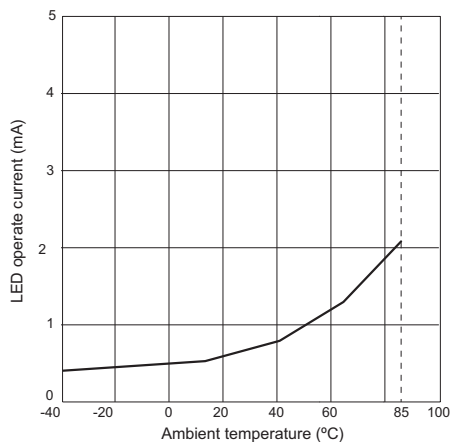
Turn-On Time Vs. Ambient Temperature



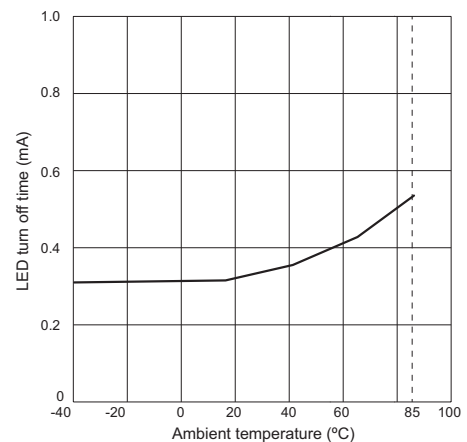
Turn-Off Time Vs. Ambient Temperature



LED Operate Current Vs. Ambient Temperature

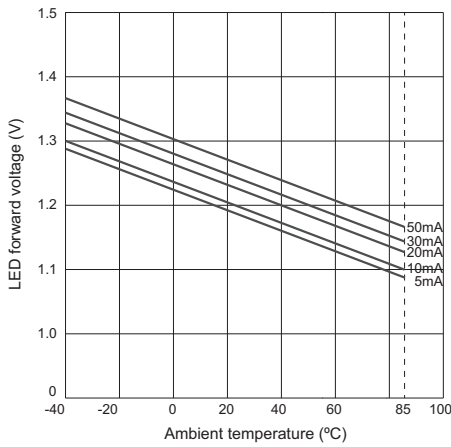


LED Turn-Off Current Vs. Ambient Temperature

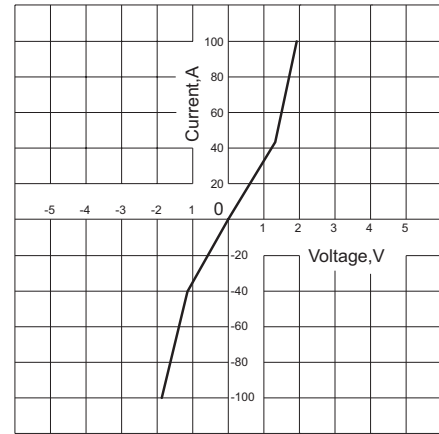


8 C236S Series Graphs

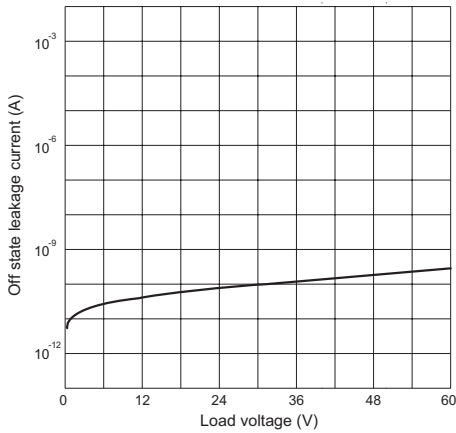
LED Forward Voltage Vs. Ambient Temperature



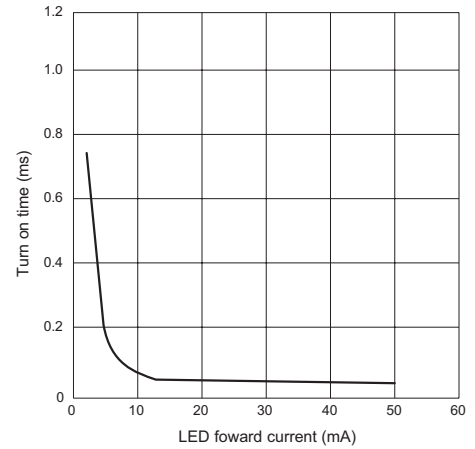
Voltage Vs. Current Characteristics of Output at MOS Portion



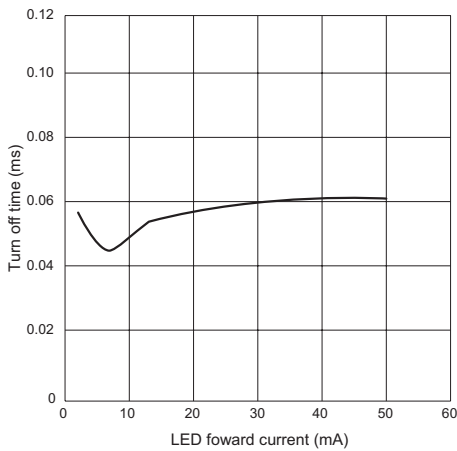
Off-State Leakage Current Vs. Load Voltage Characteristics



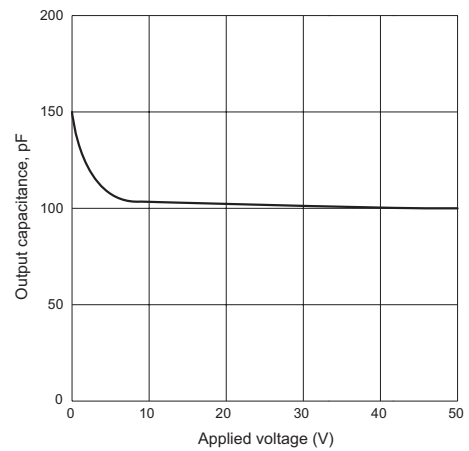
LED Forward Current Vs. Turn on Time Characteristics



LED Forward Current Vs. Turn-Off Time Characteristics



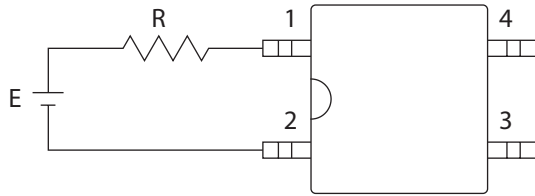
Applied Voltage Vs. Output Capacitance Characteristics



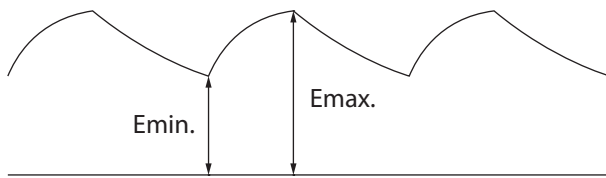
9 Using Methods

Examples of resistance value to control LED forward current ($I_f=5\text{mA}$)

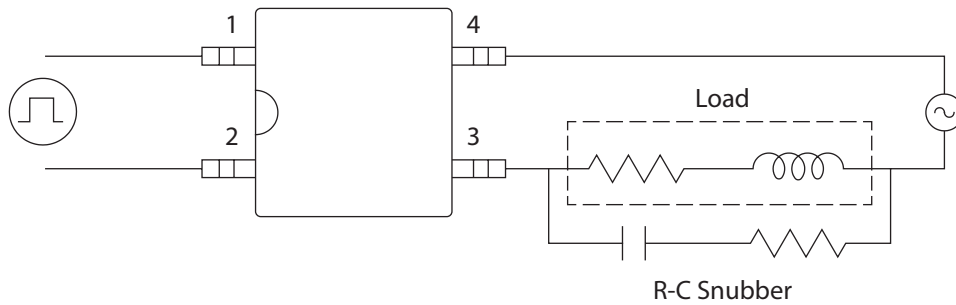
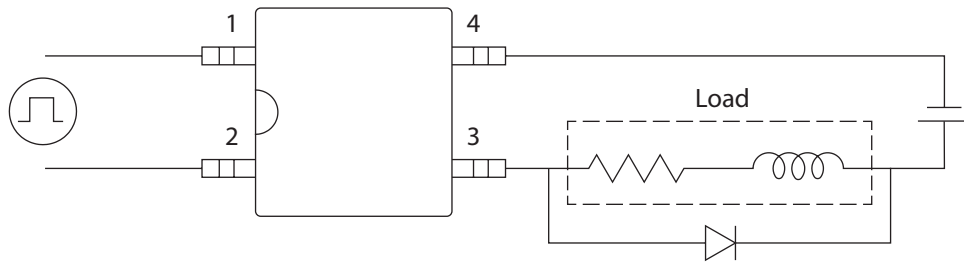
1. LED forward current must be more than 5mA, at E min.
2. LED forward current must be less than 50mA, at E max.



E	R
3.3V	Approx. 333 Ω
5V	Approx. 640 Ω
12V	Approx. 1.9K Ω
15V	Approx. 2.5K Ω
24V	Approx. 4.1K Ω



Regulate the spike voltage generated on the inductive load as follows:

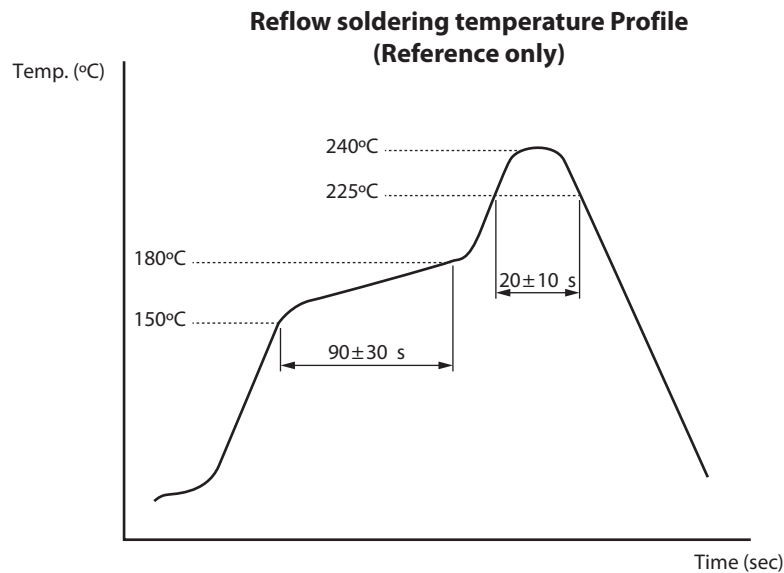


10 Recommended Soldering Conditions

10.1 Infrared Reflow Soldering

- ▶ Peak reflow soldering: 240°C or below (package surface temperature)
- ▶ Time of peak reflow temperature: 20-30 seconds
- ▶ Time of temperature higher than 240°C: 30-60 seconds
- ▶ Time to preheat temperature from 180~190°C: 90-120 seconds
- ▶ Number of reflows: One
- ▶ Flux: Rosin flux containing small amount of chlorine
(The flux with a maximum chlorine content of 0.2 Wt% is recommended.)

10.2 Recommended Temperature Profile of Infrared Reflow

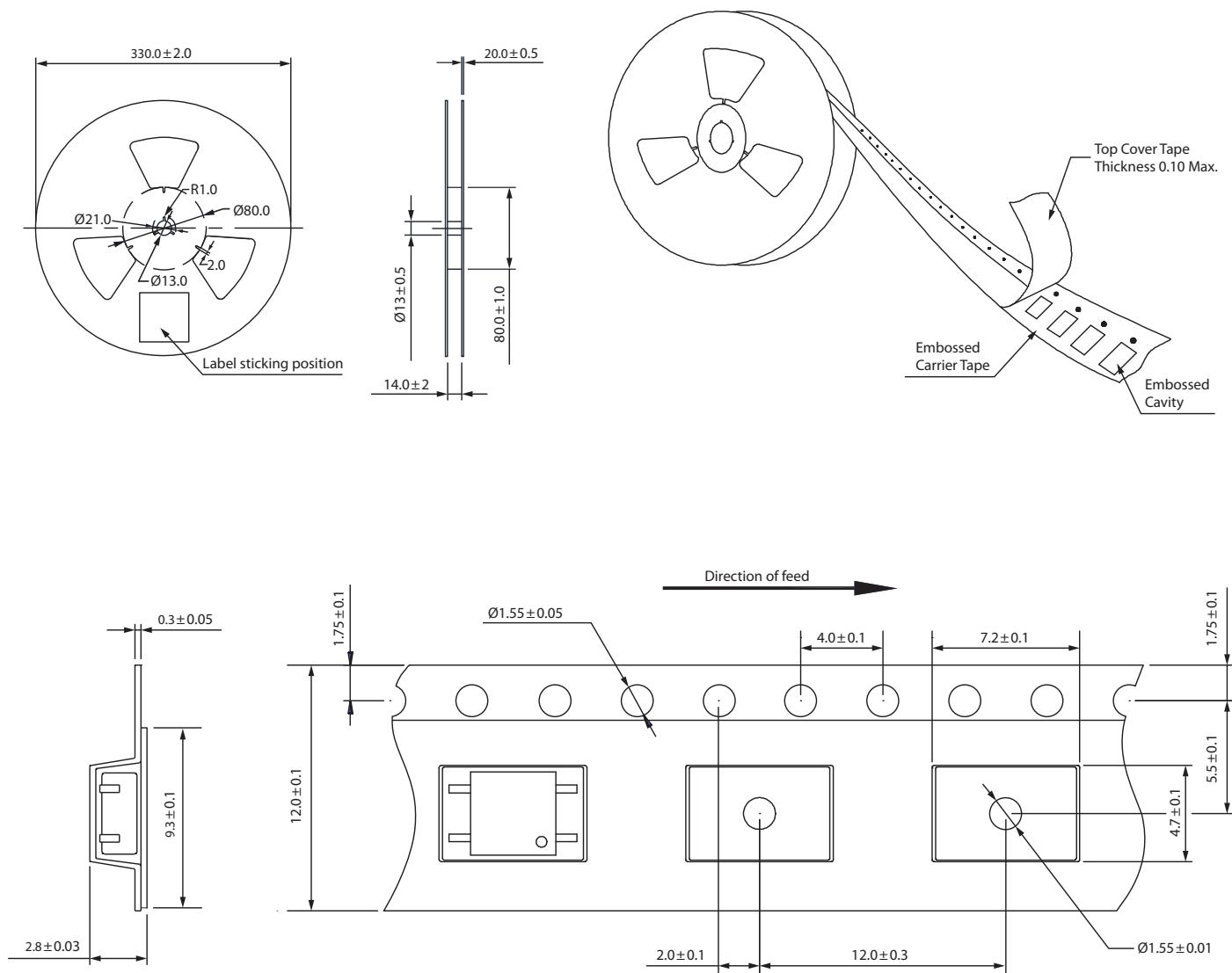


10.3 Cautions

- ▶ Fluxes: Avoid removing the residual flux with freon-based and chlorine-based cleaning solvent.
- ▶ Avoid shorting between portion of frame and leads.

11 CotoMOS Relay Packaging Information

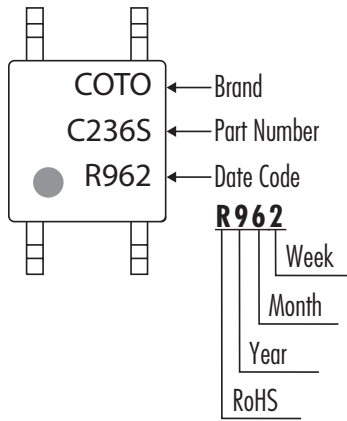
11.1 4-pin SOP Carrier Tape & Reel Units: mm



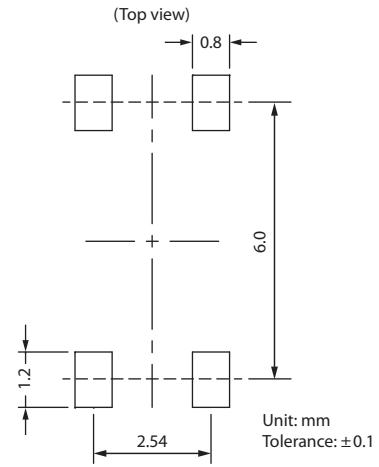
Notes

1. There is a leader of 230mm minimum which consists of carrier and/or cover tape followed by a minimum of 160mm of carrier tape sealed with cover tape.
2. There is a minimum of 160 mm of empty component pockets sealed with cover tape.
3. Device pockets are in accordance with EIA standard EIA-481-A and specifications provided above.
4. Packaging: 2000pcs per reel, 2 reels per box, 5 boxes per carton.

11.2 Device Marking



11.3 Recommended Mounting Pad



12 IMPORTANT NOTICE AND DISCLAIMER

COTO TECHNOLOGY, INC. ("COTO") PROVIDES THIS DATA SHEET "AS IS" AND WITH ALL FAULTS, AND DISCLAIMS ANY AND ALL WARRANTIES, EXPRESS AND IMPLIED, WITH RESPECT TO INFORMATION SET FORTH HEREIN, INCLUDING, WITHOUT LIMITATION, ANY IMPLIED WARRANTIES OF ACCURACY, COMPLETENESS, MERCHANTABILITY, FITNESS FOR A PARTICULAR PURPOSE AND NON-INFRINGEMENT OF THIRD-PARTY INTELLECTUAL PROPERTY RIGHTS. Your receipt of this data sheet constitutes your acknowledgement and acceptance of, and agreement to, all of the terms, conditions, notes, notices, disclaimers and limitations set forth herein.

This data sheet is subject to change without notice. Coto reserves the right to make, from time to time, changes to specifications set forth herein as may be necessary or desirable to improve the performance, reliability and/or manufacturability of the products described herein. As such, before placing an order of any Coto product described herein, you must verify that the information set forth herein is current with respect to such product, and Coto assumes no responsibility for any damages which you may incur due to your failure to do so.

Coto grants you permission to use this data sheet only for information and reference purposes, and any other use of this data sheet by you is prohibited. No license to any intellectual property right of Coto or any third party is granted hereunder.

You are solely responsible for (1) deciding whether to purchase or use any Coto product, (2) selecting appropriate Coto products for your application, (3) designing, validating and testing your application incorporating or involving any Coto product and (4) ensuring that such application meets applicable safety, security, regulatory or other requirements or standards. Any purchase or use of any Coto product must fully comply with all applicable laws and regulations, including, without limitations, import and export regulations.

Coto products described herein have been designed, developed and manufactured to be used in the standard commercial applications similar to those shown herein ("Specific Applications"). Any application requiring measures of reliability, robustness, safety or certifications not shown or beyond those shown herein is at the user's risk and is not warranted or guaranteed by Coto. Therefore, you are advised to use Coto products described herein only in Specific Applications.

Your purchase and use of Coto products, including, without limitation, those products described herein, are subject to Coto's terms and conditions of sale and other applicable terms available on Coto's website or otherwise provided or made available in conjunction with such products. Unless such terms and conditions state otherwise, COTO PRODUCTS ARE PROVIDED "AS IS" AND WITH ALL FAULTS, AND ANY AND ALL WARRANTIES, EXPRESS AND IMPLIED, WITH RESPECT TO SUCH PRODUCTS, INCLUDING, WITHOUT LIMITATION, ANY IMPLIED WARRANTIES OF MERCHANTABILITY, FITNESS FOR A PARTICULAR PURPOSE AND NON-INFRINGEMENT OF THIRD-PARTY INTELLECTUAL PROPERTY RIGHTS, ARE DISCLAIMED. Coto's provision of this data sheet does not expand or otherwise alter Coto's applicable warranties or warranty disclaimers for Coto products.

Coto disclaims responsibility for, and you will fully defend, indemnify and hold harmless Coto, its affiliates and its and their respective equity holders, directors, officers, employees, representatives, agents, successors and assigns against and for, any and all claims, damages, costs, losses and liabilities arising out of your use of this data sheet or your purchase or use of any Coto product described herein.